

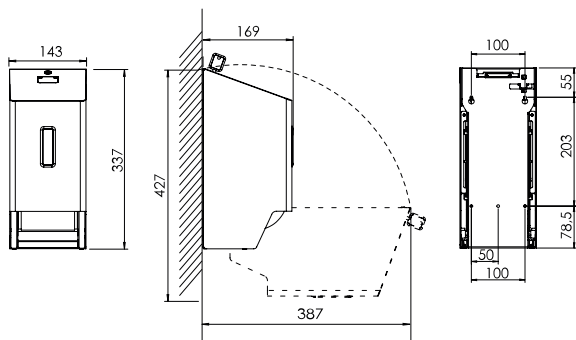
TTU 2 P MN

Toilet paper dispenser with ergonomic toilet paper dispensing
Art.-No. 1423566



OPHARDT HYGIENE-TECHNIK GmbH + Co. KG
Lindenau 27 | 47611 Issum | Germany
Tel.: +49 (0) 28 35 18-10 | Fax +49 (0) 28 35 18-77
planer@ophardt.com | www.ophardt.com

TTU 2



Maße in mm - Dimensions in mm



References

airports, train stations, schools, kindergardens, hotels, restaurants, commercial kitchen, food processing areas, prisons, exhibitions, conference centres, shopping centres, fitness and sports centres, industry, laboratories, administration facilities

Usage examples

toilets

Technical data

Housing:	Stainless steel, matte black powder coated (RAL 9005)
Filling volume (Toilet paper):	2 standard rolls (max. roll diameter 120 mm)
with/without viewing window:	Clear
Lock:	SanTRAL vandalism-proof lock, plastic
Mounting:	Wall mounting with 4 screws and wall plugs
Cleaning:	manual wipe disinfection, not dishwashersafe, not autoclavable
Warranty:	5 years
Net weight:	2.71 kg
Dimensions (W x H x D) in mm:	143x337x169
Hinweis:	Before using new products, please always check the compatibility of the product and the dispensing system to ensure proper functionality.

Compatible accessories

Kit SR TTU 2
Smart retrofit kit for TTU 2 toilet paper dispensers Art.-No. 1423657

Please see other accessories in our Online Product Catalogue.